

LUNERA SUSAN LAMP

LED Replacement for Metal Halide Lamp

[400W / 320W] or [250W / 175W] E39 Mogul Base, Vertical Mount



Description

The Susan Lamp is a plug-and-play replacement for Metal Halide (MH) lamps with an E39 mogul base. These lamps are available with an upright option for glass or acrylic fixtures. With a significantly lower energy consumption than conventional MH lamps, these LED lamps also replace 400W / 320W or 250W / 175W MH lamps.

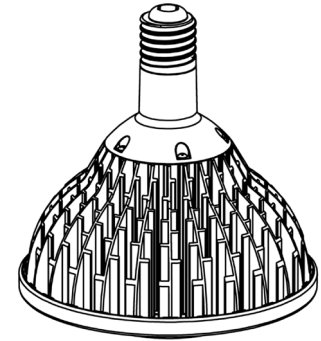
Lunera's BallastLED technology makes these lamps truly plug-and-play by allowing them to operate directly off of existing ballasts. Simply replace the existing MH lamp with the Susan Lamp without making any modifications to the fixture.

The Susan Lamp has a rated life of 50,000 hours – 5 times longer than that of MH lamps. This eliminates costly replacement cycles and reduces maintenance costs.

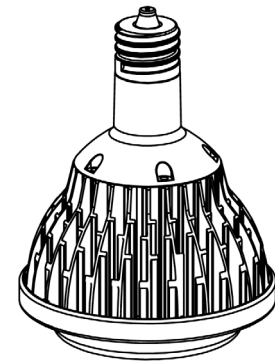
The Susan Lamp is available in a range of color temperatures including 3500K, 4000K and 5000K. It delivers consistent light levels across its long life, which results in a high quality lighting experience for the building's occupants.

Features

- Replaces 400W / 320W or 250W / 175W metal halide (MH) lamps
- Uplight option to support glass/acrylic reflectors
- Plug and Play installation, with existing installed magnetic ballasts
- Works well in enclosed fixtures
- Ultra-low energy draw extends existing magnetic ballast life
- Up to 14,000 lumens fixture delivered light output
- 40W to 145W lamp power, yields 60%-80% energy savings
- >80 CRI
- CCT 3500, 4000 and 5000K
- Thermal IQ™ to support ambient temperatures up to 150°F



400W / 320W



250W / 175W

Ordering Information

Example: SN-V-E39-400W-320W-4000-G2

| Series | Version | Socket Type | Lamp Wattage Replaced | CCT | Generation |
|-----------------------|---|---|---|--|------------------------------|
| SN: Susan Lamp | V: Vertical VU: Vertical Uplight | E39: Fits in mogul (E39) base MH socket | 400W-320W: 400W (M59) / 320W (M132) 250W-175W: 250W (M58) / 175W (M57) | 3500: 3500K 4000: 4000K 5000: 5000K | G2: 2nd Generation |

| | | |
|---------------|----------|-----------|
| PROJECT | CONTACT | MODEL NO. |
| REFERENCE NO. | QUANTITY | DATE |

Performance Specifications - Vertical Mount Lamp - 400W / 320W Version

| | Driven by 400W (M59) Ballast | Driven by 320W (M132) Ballast |
|--|---|---|
| Illumination | | |
| Color Temperatures | 3500K, 4000K, 5000K | 3500K, 4000K, 5000K |
| Lumens | 3500K: 12,000 lm | 3500K: 11,000 lm |
| | 4000K: 13,000 lm | 4000K: 12,000 lm |
| | 5000K: 14,000 lm | 5000K: 12,000 lm |
| Color Consistency | Lunera TruColor™ proprietary process | Lunera TruColor™ proprietary process |
| Lumen Maintenance (L70) | 50,000+ hours life | 50,000+ hours life |
| Electrical System | | |
| Input Voltage | Driven by magnetic MH ballast | Driven by magnetic MH ballast |
| Power Consumption | 146W | 121W |
| Lamp Wattage Replaced | 400W | 320W |
| Physical | | |
| Dimensions (H x W) | 9.4" x 8.2" | 9.4" x 8.2" |
| Weight | 3.75 lbs | 3.75 lbs |
| Housing and Finish | Painted | Painted |
| Heat Sink Size | 8" | 8" |
| Environment | | |
| Ambient Temperature | -40°F to 150°F* | -40°F to 150°F* |
| Humidity Rating | Damp OK, no direct water spray | Damp OK, no direct water spray |
| Fixture Type | Open or enclosed | Open or enclosed |
| Installation | | |
| Socket Type | Fits vertical mount mogul base (E39/EX39) MH socket | Fits vertical mount mogul base (E39/EX39) MH socket |
| Certifications & Qualifications | | |
| UL | Recognized US, CAN | Recognized US, CAN |
| RoHS Compliant | Contains no lead or mercury | Contains no lead or mercury |
| LM79, LM80, IES Files | Complete | Complete |
| Warranty | | |
| Warranty | 5 years | 5 years |

*Thermal IQ™ is a proprietary Lunera technology which enables the Susan Lamp to operate reliably up to 150°F ambient by dimming itself at extreme temperatures based upon thermal characteristics of the fixture in which it has been installed.

* Lamp dimming profiles subject to fixture type and environmental conditions. Contact Lunera for more detailed information.

Performance Specifications - Vertical Mount Lamp - 250W / 175W Version

| | Driven by 250W (M58) Ballast | Driven by 175W (M57) Ballast |
|--|---|---|
| Illumination | | |
| Color Temperatures | 3500K, 4000K, 5000K | 3500K, 4000K, 5000K |
| Lumens | 3500K: 8,500 lm | 3500K: 7,600 lm |
| | 3500K: 8,700 lm | 4000K: 7,800 lm |
| | 5000K: 9,000 lm | 5000K: 8,300 lm |
| Color Consistency | Lunera TruColor™ proprietary process | Lunera TruColor™ proprietary process |
| Lumen Maintenance (L70) | 50,000+ hours life | 50,000+ hours life |
| Electrical System | | |
| Input Voltage | Driven by magnetic MH ballast | Driven by magnetic MH ballast |
| Power Consumption | 86W | 72W |
| Lamp Wattage Replaced | 250W | 175W |
| Physical | | |
| Dimensions (H x W) | 8.5" x 6.1" | 8.5" x 6.1" |
| Weight | 2.5 lbs | 2.5 lbs |
| Housing and Finish | Painted | Painted |
| Heat Sink Size | 6" | 6" |
| Environment | | |
| Ambient Temperature | -40°F to 150°F* | -40°F to 150°F* |
| Humidity Rating | Damp OK, no direct water spray | Damp OK, no direct water spray |
| Fixture Type | Open or enclosed | Open or enclosed |
| Installation | | |
| Socket Type | Fits vertical mount mogul base (E39/EX39) MH socket | Fits vertical mount mogul base (E39/EX39) MH socket |
| Certifications & Qualifications | | |
| UL | Recognized US, CAN | Recognized US, CAN |
| RoHS Compliant | Contains no lead or mercury | Contains no lead or mercury |
| LM79, LM80, IES Files | Complete | Complete |
| Warranty | | |
| Warranty | 5 years | 5 years |

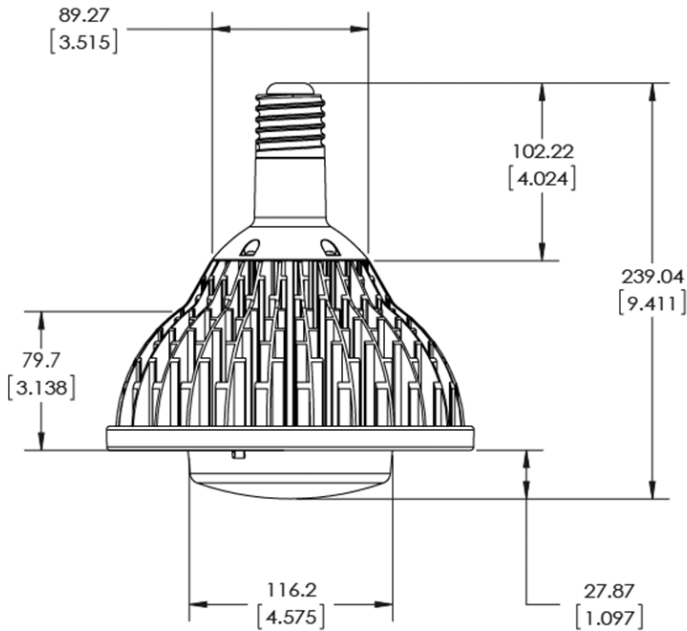
*Thermal IQ™ is a proprietary Lunera technology which enables the Susan Lamp to operate reliably up to 150°F ambient by dimming itself at extreme temperatures based upon thermal characteristics of the fixture in which it has been installed.

* Lamp dimming profiles subject to fixture type and environmental condition. Contact Lunera for more detailed information.

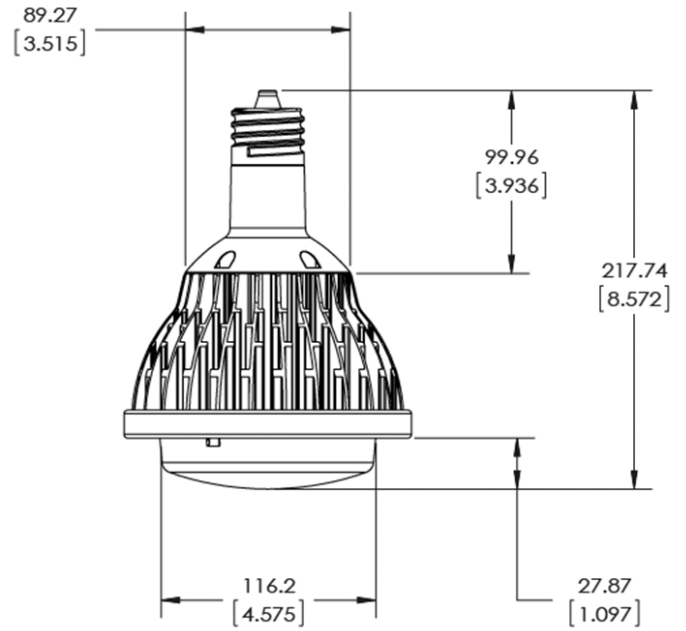
Product Dimensions

Measurements are rounded up. Dimensions are shown in millimeters. Please contact your Lunera representative for exact dimensions.

400W / 320W



250W / 175W



CAUTION

- This lamp is NOT approved for use in line voltage.

© 2015 Lunera Lighting, Inc. All Rights Reserved. Lunera and the Lunera logo are registered trademarks; Lunera TruColor and Thermal IQ, are trademarks of Lunera Lighting, Inc. All other trademarks are the property of their respective owners.

Specifications are subject to change without notice. This document is for informational purposes only.